

EJ 1.5 " UT series

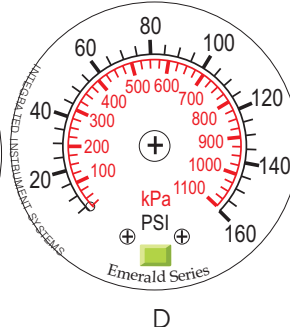
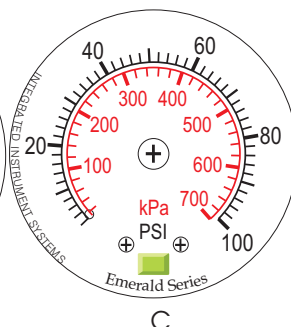
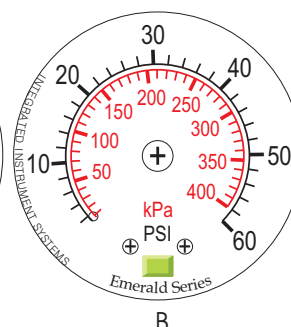
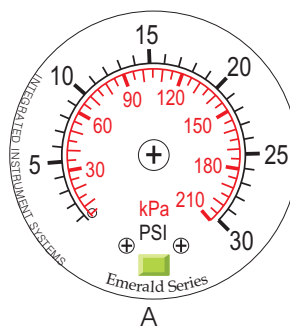
IIS # varies

Dimensions are in inches and (mm) unless otherwise indicated

SCALE 1:1

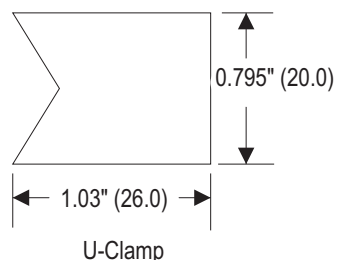
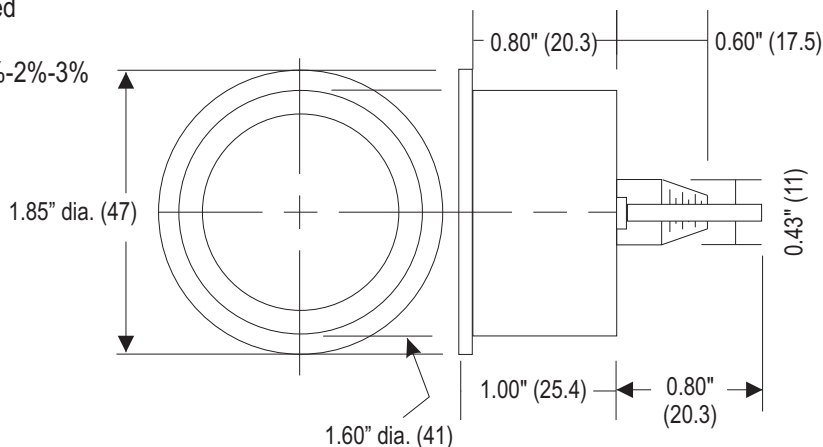
**Specifications:**

- Dial Size: 1.5"
- Fill Fluid: Dry, Not fillable
- Connection Size: 1/8NPT
- Connection Location: Center Back
- Case Material: Zinc Plated Steel
- Case Type: Plain
- Lens Material: Glass
- Ring Material: Zinc Plated Steel
- Ring Type: Crimped
- Sensor Material: Bronze
- Sensor Type: Bourdon Tube
- Movement: Brass Geared
- Restrictor: Optional
- Accuracy: Grade B; 3%-2%-3%
- Range: As shown
- Other:



**Dial Artwork:**

- Background: White
- Primary Scale: kPa
- Primary Color: Red
- Primary Numbers: See Table
- Primary Increments: See Table
- Secondary Scale: PSI
- Secondary Color: Black
- Secondary Numbers: See Table
- Radial or Horizontal: Horizontal
- Secondary Increments: See Table
- Logo: Green Emerald
- Name on Dial: "Integrated Instrument Systems"
- Other Markings: "Emerald Series"



	30 PSI	60 PSI	100 PSI	160 PSI
PSI Range:	30 PSI	60 PSI	100 PSI	160 PSI
CBM Model:	EJ1242	EJ1246	EJ1248	EJ1252
Dial(above):	A	B	C	D
PSI Numbers:	5 PSI	10 PSI	20 PSI	20 PSI
PSI Major Incr:	5 PSI	10 PSI	10 PSI	20 PSI
PSI Minor Incr:	1 PSI	2 PSI	2 PSI	5 PSI
kPa Range:	210 kPa	400 kPa	700 kPa	1100 kPa
kPa Numbers:	30 kPa	50 kPa	100 kPa	100 kPa
kPa Major Incr:	10 kPa	50 kPa	100 kPa	100 kPa
kPa Minor Incr:	5 kPa	10 kPa	20 kPa	25 kPa

Rev	Date	By

**Integrated Instrument Systems, Inc.**  
 29325 Clemens Rd. Westlake, Ohio 44145 Phone 216-899-7378 FAX 216-835-0233

-----Specification Control Drawing-----

Drawing Created: **01/22/96** By: **T. F. B.**

This drawing and any applicable artwork remain the property of Integrated Instrument Systems. Do not copy.

Customer Name: **Integrated Instrument Systems Stock**

IIS Part Number: **varies** Customer Part Number: **EJ 1.5 " UT series**