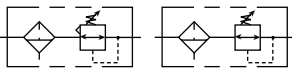
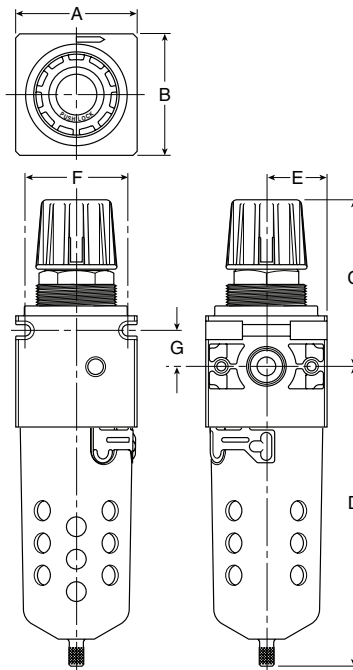


B105 Integral Filter / Regulator



Features

- Connects to Other QUBE Units Using Just Screws & O-rings (Included)
- Integral Mounting Slots Eliminate Need for Mounting Brackets
- Diaphragm Operated Design with Balanced Poppet Design for Quick And Accurate Regulation
- Panel Mountable
- For Applications Requiring Minimum Pressure Drop
- Excellent Water Removal Efficiency
- Unique Deflector Plate that Creates Swirling of the Air Stream Ensuring Maximum Water and Dirt Separation
- Large Filter Element Surface Guarantees Low Pressure Drop and Increased Element Life
- 40 Micron Filter Element Standard, 5 Micron Available
- Transparent Polyurethane Bowl with Bowl Guard as Standard
- Metal Bowl with Wraparound Sight Gauge Optional
- Manual Drain as Standard, Optional Auto Float Drain
- Large Bowl Capacity
- High Flow: 1/2" - 150 SCFM[§]
 3/4" - 150 SCFM[§]



Port Size	NPT	
	Manual Twist Drain	Automatic Float Drain
Polyurethane Bowl / Plastic Guard		
1/2"	B105-04BJC	B105-04BJCR
3/4"	B105-06BJC	B105-06BJCR
Zinc Bowl / Sight Gauge		
1/2"	B105-04WJC	B105-04WJCR
3/4"	B105-06WJC	B105-06WJCR

B105 Integral Filter / Regulator Dimensions								
A*	A†	B	C	D	E	F*	F†	G
B105-B, B105-D								
2.69 (68.2)	3.03 (77.0)	2.69 (68.2)	3.66 (92.8)	6.66 (169)	1.34 (34.1)	2.27 (57.5)	2.55 (64.8)	0.70 (17.9)
B105-W								
2.69 (68.2)	3.03 (77.0)	2.69 (68.2)	3.66 (92.8)	6.78 (172.2)	1.34 (34.1)	2.27 (57.5)	2.55 (64.8)	0.70 (17.9)

Bold Items are Most Popular.
For other models refer to ordering information below.
[§] SCFM = Standard Cubic Feet Per Minute at 100 PSIG Inlet, 75 PSIG No Flow Secondary Setting, and 20 PSIG Pressure Drop with 20 Micron Element.

Inches (mm) NOTE: 1.75 Dia. (44mm) hole required
 * 3/8 and 1/2 inch ports for panel mounting.
 † 3/4 inch ports

Polyurethane Bowls and Sight Gauges Offer Improved Chemical Compatibility.

Ordering Information

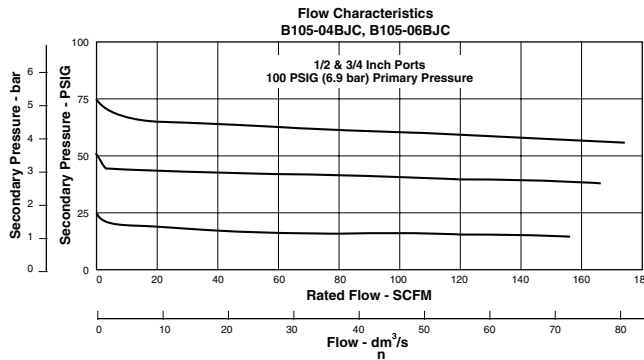


Port Threads	Port Size	Bowl	Element	Reduced Pressure Range	Options	Engineering Change Designator
— NPT G BSPP	04 1/2" 06 3/4"	B Transparent with Plastic Bowl Guard D Metal without Sight Gauge W Metal with Wraparound Sight Gauge	G 5 Micron J 40 Micron	A 0-25 PSIG B 0-60 PSIG C 0-125 PSIG D 0-250 PSIG	G Gauge K Non-relieving P Panel Mount Nut R Automatic Float Drain	Will be entered at factory.

BOLD ITEMS ARE MOST POPULAR.



Technical Information



⚠ WARNING
Product rupture can cause serious injury.
Do not connect regulator to bottled gas.
Do not exceed maximum primary pressure rating.

⚠ CAUTION:
REGULATOR PRESSURE ADJUSTMENT – The working range of knob adjustment is designed to permit outlet pressures within their full range. Pressure adjustment beyond this range is also possible because the knob is not a limiting device. This is a common characteristic of most industrial regulators, and limiting devices may be obtained only by special design. For best performance, regulated pressure should always be set by increasing the pressure up to the desired setting.

B105 Integral Filter / Regulator Kits & Accessories

Bowl Kits –

- Polyurethane (B)..... BKF105B
- Zinc (D)..... BKF105D
- Zinc (W) Wraparound Sight Gauge BKF105W

Cage Kit –

- Spring Cage Assembly with Knob CKR105

Control Knob

- R105-0542P

Drain Kits –

- Manual Twist Drain SA600Y7-1
- Internal Auto (Max. Pressure: 175 PSIG) (B & D)..... SA602MD
- Internal Auto (Max. Pressure: 175 PSIG) (W)..... SAF105MD
- Semi-Automatic “Overnight” Drain SA602A7
(Drains automatically under zero pressure)

Filter Element Kits –

- 5 Micron (All) EK100G
- 40 Micron (All) EK100J

Gauges –

- 2" Dial Size, 1/4" Back Connection
0 to 60 PSIG (0 to 4 bar) K4520N14060
- 2" Dial Size, 1/4" Back Connection
0 to 160 PSIG (0 to 11 bar) K4520N14160
- 2" Dial Size, 1/4" Back Connection
0 to 300 PSIG (0 to 11 bar) K4520N14300

Panel Mounting Bracket Kit (Bonnet Threads) SAR10Y57

Face Mounting Bracket Kit (See Page 39) SAR105Y57

Panel Mount Nut –

- Plastic..... R10X51-P
- Aluminum..... R10X51-A

Repair Kits –

- Auto Float Drain (Maximum Pressure - 175 PSIG)..... RK602MD
- Deflector, Element Retainer (All) RKF100
- Non-Relieving Diaphragm, Valve Assembly RKR105K
- Relieving Diaphragm, Valve Assembly RKR105

Specifications

Bowl Capacity 8.5 Ounce

Gauge Ports (2) 1/4 Inch

Port Threads 1/2 & 3/4 Inch

Pressure & Temperature Ratings –

- Polyurethane Bowl..... 0 to 150 PSIG (0 to 10.2 bar)
40°F to 125°F (4.4°C to 52°C)
- Zinc Bowl..... 0 to 300 PSIG (0 to 20.4 bar)
40°F to 150°F (4.4°C to 65.6°C)
- With Automatic Float Drain 175 PSIG Max. Press. (11.9 bar)
40°F to 125°F (4.4°C to 52°C)
- Zinc Bowl w/ Sight Gauge 0 to 250 PSIG (0 to 17.2 bar)
40°F to 150°F (4.4°C to 65.6°C)
- With Automatic Float Drain 175 PSIG Max. Press. (11.9 bar)
40°F to 125°F (4.4°C to 52°C)

Weight –

- Polyurethane Bowl..... 2.21 lb. (1.0 kg) / Unit
19.7 lb. (8.9 kg) / 8-unit Master Pack
- Zinc Bowl..... 2.66 lb. (1.2 kg) / Unit
23.3 lb. (10.6 kg) / 8-unit Master Pack
- Zinc Bowl W/ Sight Gauge..... 2.86 lb. (1.3 kg) / Unit
24.9 lb. (11.3 kg) / 8-unit Master Pack

Materials of Construction

- Body**..... Aluminum
- Bowls**..... Polyurethane
Metal (Zinc)
- Cage** Glass Filled Acetal
- Drains** Brass
- Filter Elements**..... Polyethylene
- Knob** Plastic
- Seals** Nitrile



QUBE Features

Filters

Coalescing Filters

Regulators

Lubricators

Integral Filter Regulators

Combination Units

Accessories

Soft Start Valves

Mounting Brackets